

Noise Test Report

SGS-CSTC Ref: SHES170100062671

Test complete Date: 2017/2/7

Applicant: Positec Technology (China) Co., Ltd.
Address 18, Dongwang Road, Suzhou Industrial Park, Jiangsu 215123, P.R. China

Manufacturer: Positec Technology (China) Co., Ltd.
Address: 18, Dongwang Road, Suzhou Industrial Park, Jiangsu 215123, P.R. China

Factory: Positec Machinery (Zhangjiagang) Co., Ltd.
Address: Nanfeng Town, Zhangjiagang City, Jiangsu 215628, P.R. China

Testing Laboratory: SMDERI, Shanghai, China
Address: 3111 Huaning Rd., Songjiang District, Shanghai, China

Appliance: Cordless Portable Power Cleaner

Type/model number: WG629E, WG629E.X (X=1-20, A-Z, M1-M9)

Trade Mark: WORX
Rating: 20 V , Max. Inlet water pressure 0,5 MPa, rated pressure 2,2 MPa

Serial No: N/A (Engineering sample)

Test sample received: 1 samples

General Information:

Examination of the above appliances using the requirements and test methods of EN ISO 3744:1995, & Annex III of 2000/14/EC as amended by 2005/88/EC and EN 60745-1:2009.

All the models are the same except model name.
The test was performed on model WG629E

1 Test Data and Calculation

Pre-Measurement Calibration Level 94.0

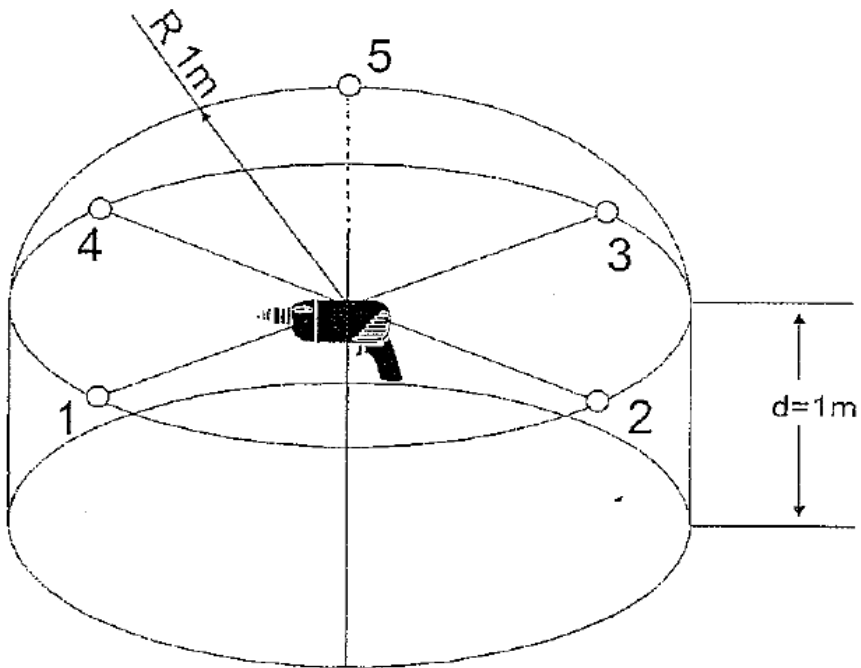
Sample No.1-Measurement time 1

Position	Front	Back	Left	Right	Above		
Background	17.1	17.1	17.1	17.1	17.1	LpA	LwA
Reading 1	72.1	71.8	72.6	71.9	72.4	72.2	83.2
Reading 2	72.0	72.0	72.8	72.2	72.6	72.3	83.3
Reading 3	72.5	72.2	73.2	72.2	72.8	72.6	83.6
Reading 4	72.1	71.9	73.0	72.5	72.5	72.4	83.4
Reading 5	72.9	71.8	72.6	72.1	72.5	72.4	83.4
Average(dB)						72.4	83.4

Post-Measurement Calibration Level 94.0

Declared value (dB) LpA=72.4(dB) LwA=83.4(dB)
 Correction for Area KwA=3(dB)

2 Measurement Positions



3 Test Methods

Test carried out in accordance with ISO 3744 , Annex III of Directive 2000/14/EC and EN 60745-1:2009

4 Acoustic Environment

Temperature*: 21.9°C
 Barometric Pressure: 1059 hPa
 Relative Humidity: 51%
 Wind Speed**: < 1 m/s (indoor)
 Wind Direction: N/A

5 Instrumentation

Type	Serial No	Cal Due
Calibrator	1820906	2017.08.16
Soundmeter	2590450	2017.06.14
Temperature / Humidity meter	133481	2018.03.10
Barometer	06488	2018.02.07
Electric parameter	870205080	2018.02.04
Pulse 3050-A-060	100753	2017.07.27
Microphone 1	2526528	2017.12.23
Microphone 2	2526527	2017.12.23
Microphone 3	2526525	2017.12.23

Windshields Fitted? No

6 Acoustical Data

Calculated sound power level L_{WA} 83.38 dB (L_{WA})
 Calculated guaranteed sound power level: 86.38 dB (L_{WA})
 Rounded guaranteed Sound Power Level (L_{WA,d}) 86 dB (L_{WA})
 The declared guaranteed sound power level (L_{WA,c}) 87 dB (L_{WA})
 Uncertainty K 3.00 dB (L_{WA})

Result

Since the condition $L_{WA,m} \leq L_{WA,g}$ is satisfied, the appliances, based on the tested sample, were found to comply with the Directive and standards mentioned in this report.

7 Signature

Signed Alex Lv

Signature 

Date 2017/2/7

Approved By David Pang

Signature 

Date 2017/2/7

NOTE: This Report and the Reported Sound Power Levels have been obtained in Full Conformity With The Requirements of ISO 3744:1995; EN 60745-1:2009

Annex I: Phot documentation



General View

End of the report